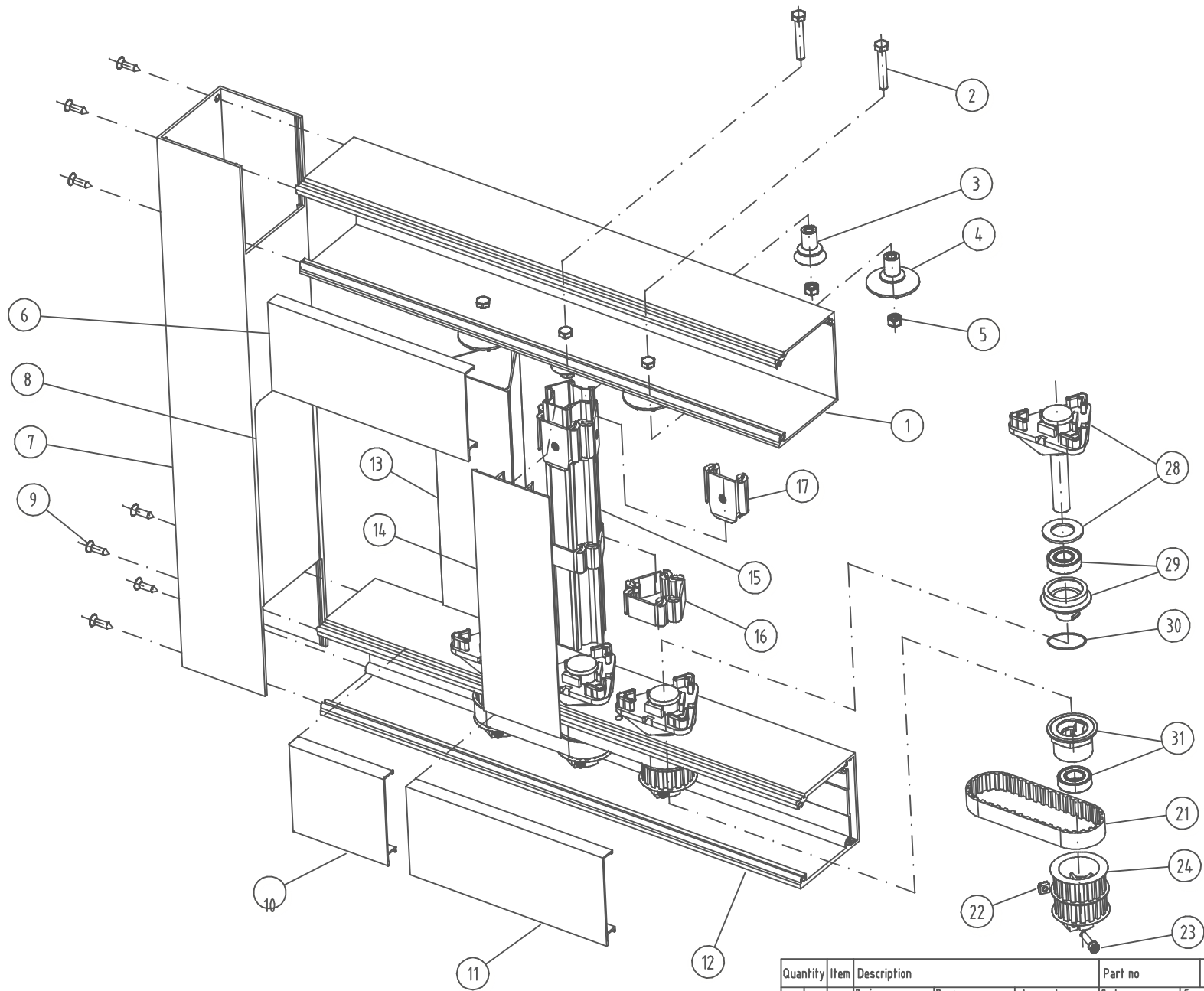


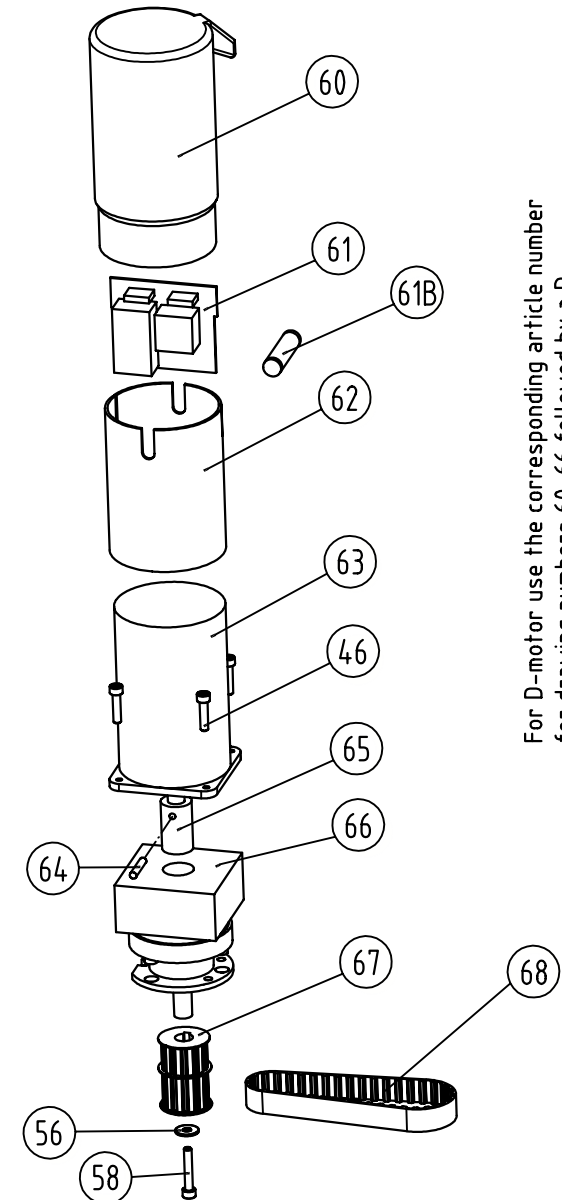
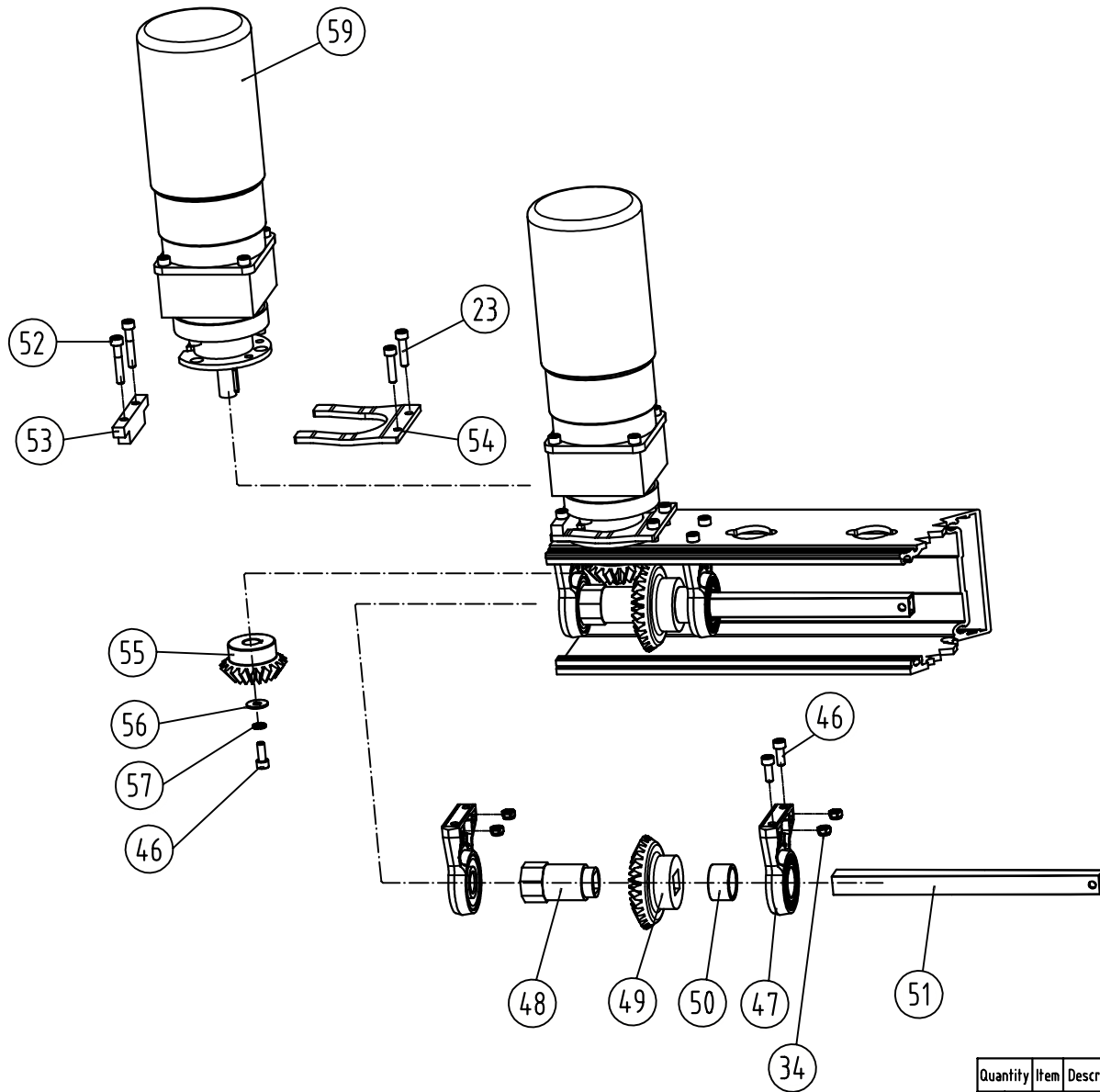
| Quantity   | Item | Description   | Part no  | Material  | Remarks       |
|--|------|---------------|----------|-----------|---------------|
|  |      | Design Prisma | Drawn RP | Approved  | Scale         |
|  |      |               |          | Gen. drwg | Repl. drwg    |
|  |      |               |          |           | Filename 0872 |
| <b>PRISMAFLEX</b><br>INTERNATIONAL<br>Tel. +46 40 664 6300 |      |               |          |           | Date          |
|  |      |               |          |           | 000119        |
| PV-BELT; OLD VERSION<br>EXPLODED VIEW                      |      |               |          |           | Rev           |
|  |      |               |          |           | B             |

|    |                       |                             |      |     |      |
|----|-----------------------|-----------------------------|------|-----|------|
| B  | Alteration account 89 | 001204                      | FS   |     |      |
| A  | Alteration account 73 | 000128                      | RP   |     |      |
| No | Qty                   | Alteration and/or notice no | Date | Ent | Appr |




| Quantity   | Item | Description   | Part no  | Material  | Remarks       |
|--|------|---------------|----------|-----------|---------------|
|  |      | Design Prisma | Drawn RP | Approved  | Scale         |
|  |      |               |          | Gen. drwg | Repl. drwg    |
|  |      |               |          |           | Filename 0975 |
| <b>PRISMAFLEX</b><br>INTERNATIONAL<br>Tel. +46 40 664 6300 |      |               |          |           | Date          |
|  |      |               |          |           | 961122        |
| PV-BELT; NEW VERSION<br>EXPLODED VIEW                      |      |               |          |           | Rev           |
|  |      |               |          |           | C             |
|  |      |               |          |           | Date          |
|  |      |               |          |           | 3-975         |

|    |                       |                             |      |      |
|----|-----------------------|-----------------------------|------|------|
| C  | Alteration account 89 | 001204                      | FS   |      |
| B  | Alteration account 73 | 000128                      | RP   |      |
| No | Qty                   | Alteration and/or notice no | Date | Ent  |
|    |                       |                             |      | Appr |



For D-motor use the corresponding article number for drawing numbers 60-66 followed by a D. (example xxxx-D)

|    |                        |                               |       |           |
|----|------------------------|-------------------------------|-------|-----------|
| C  | Alteration account 106 | 030401                        | FS    |           |
| B  | Alteration account 89  | 001206                        | FS    |           |
| A  | Alteration account 43  | 980113                        | RP    |           |
| Nr | Ant                    | Ändring och/eller ändrings nr | Datum | Ändr Godk |

| Quantity  | Item | Description            | Part no  | Material  | Remarks   |
|---|------|------------------------|----------|-----------|---|
|   |      | Design Prisma Drawn RP | Approved | Scale 1:2 | Gen. drwg   |
| <br>PV/PW MOTOR ASSEMBLY<br>Tel. +46 40 664 6300 |      |                        |          |           | Date<br>2002-06-03<br>Repl. drwg<br>3-952<br>Rev<br>C |