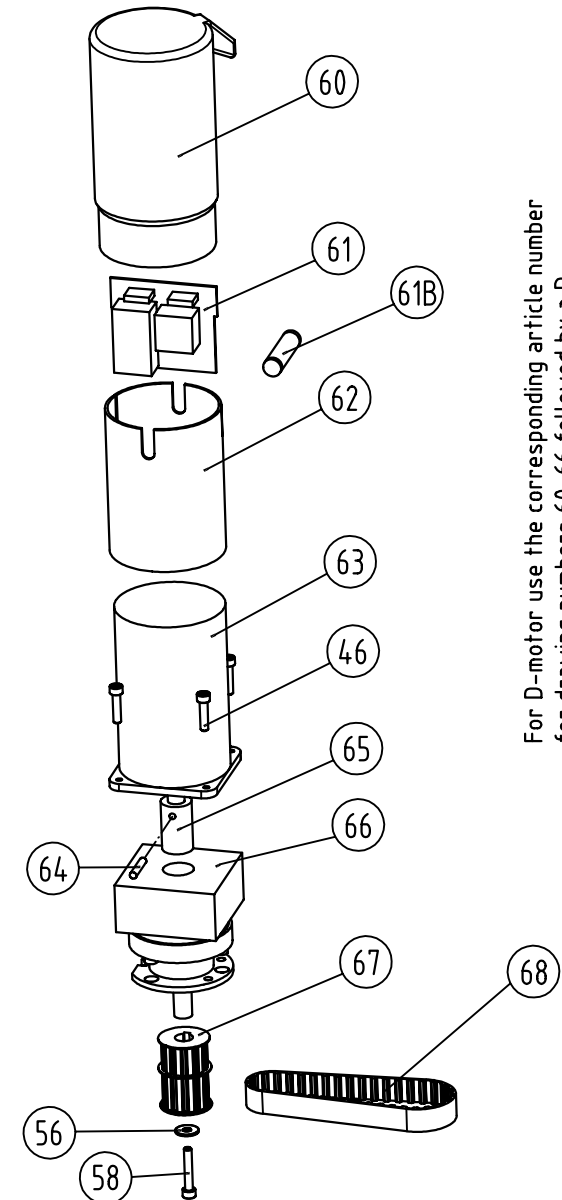
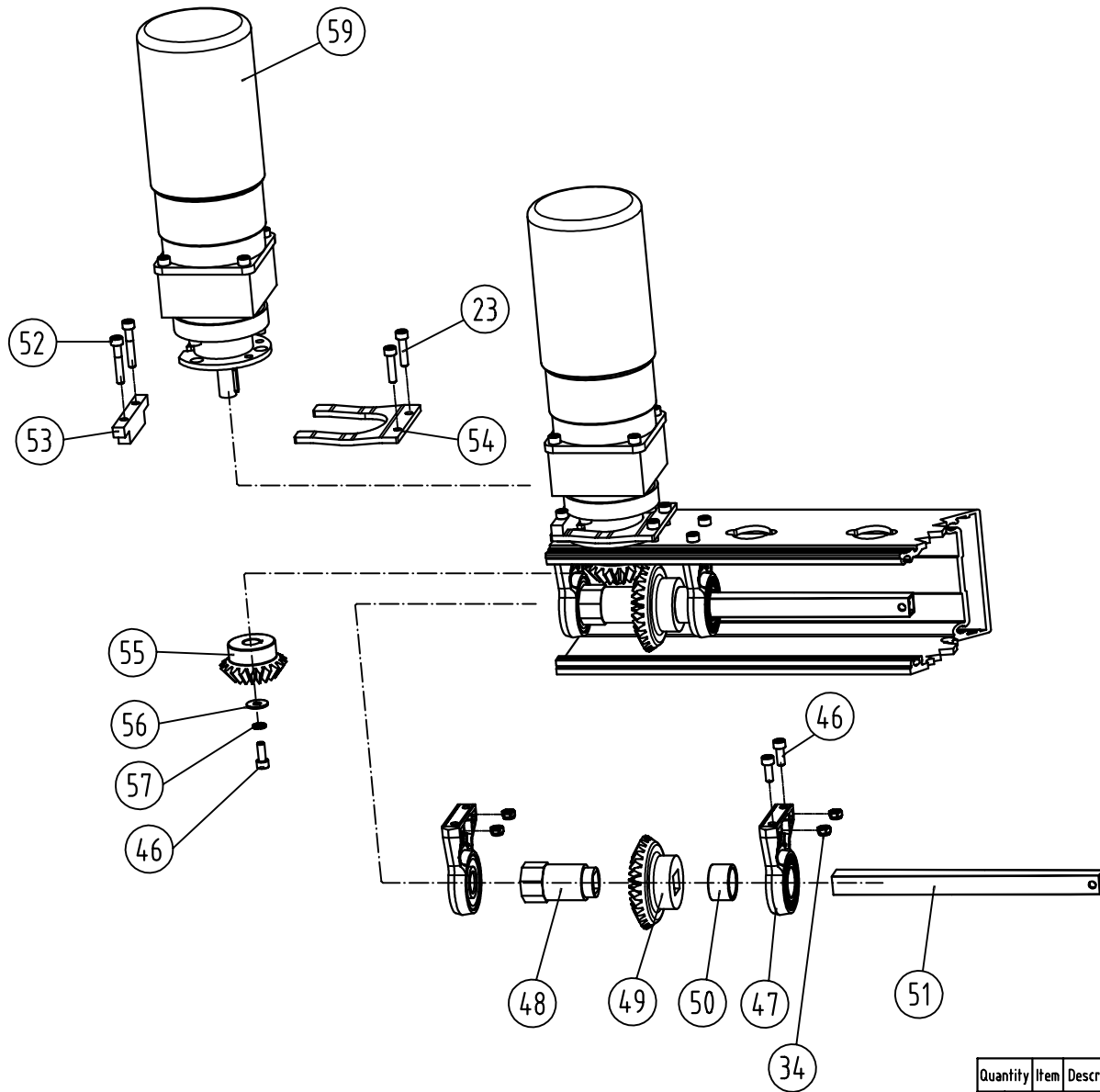


| Quantity | Item | Description | Part no | Material | Remarks |
|----------|------|---------------|----------|-----------|------------------|
| | | Design Prisma | Drawn RP | Approved | Scale |
| | | | | Gen. drwg | Repl. drwg |
| | | | | | Filename 0979 |
| | | | | | Date 970117 |
| | | | | | Drawing no 3-979 |
| | | | | | Rev C |

PRISMAFLEX
INTERNATIONAL
Tel. +46 40 664 6300

PW-WAVE VERSION
EXPLODED VIEW

| No | Qty | Alteration and/or notice no | Date | Ent | Appr |
|----|-----|-----------------------------|--------|-----|------|
| C | | Alteration account 89 | 001204 | FS | |
| B | | Alteration account 73 | 000128 | RP | |



For D-motor use the corresponding article number for drawing numbers 60-66 followed by a D. (example xxxx-D)

| | | | | |
|----|------------------------|-------------------------------|-------|-----------|
| C | Alteration account 106 | 030401 | FS | |
| B | Alteration account 89 | 001206 | FS | |
| A | Alteration account 43 | 980113 | RP | |
| Nr | Ant | Ändring och/eller ändrings nr | Datum | Ändr Godk |

| Quantity | Item | Description | Part no | Material | Remarks |
|--|------|------------------------|----------------------|-----------|------------------|
| | | Design Prisma Drawn RP | Approved | Scale 1:2 | Gen. drwg |
| | | | | | Repl. drwg |
| | | | | | Filename 952 |
| | | | | | Date 2002-06-03 |
| PRISMAFLEX INTERNATIONAL Tel. +46 40 664 6300 | | | | | Drawing no 3-952 |
| | | | | | Rev C |
| | | | PV/PW MOTOR ASSEMBLY | | |