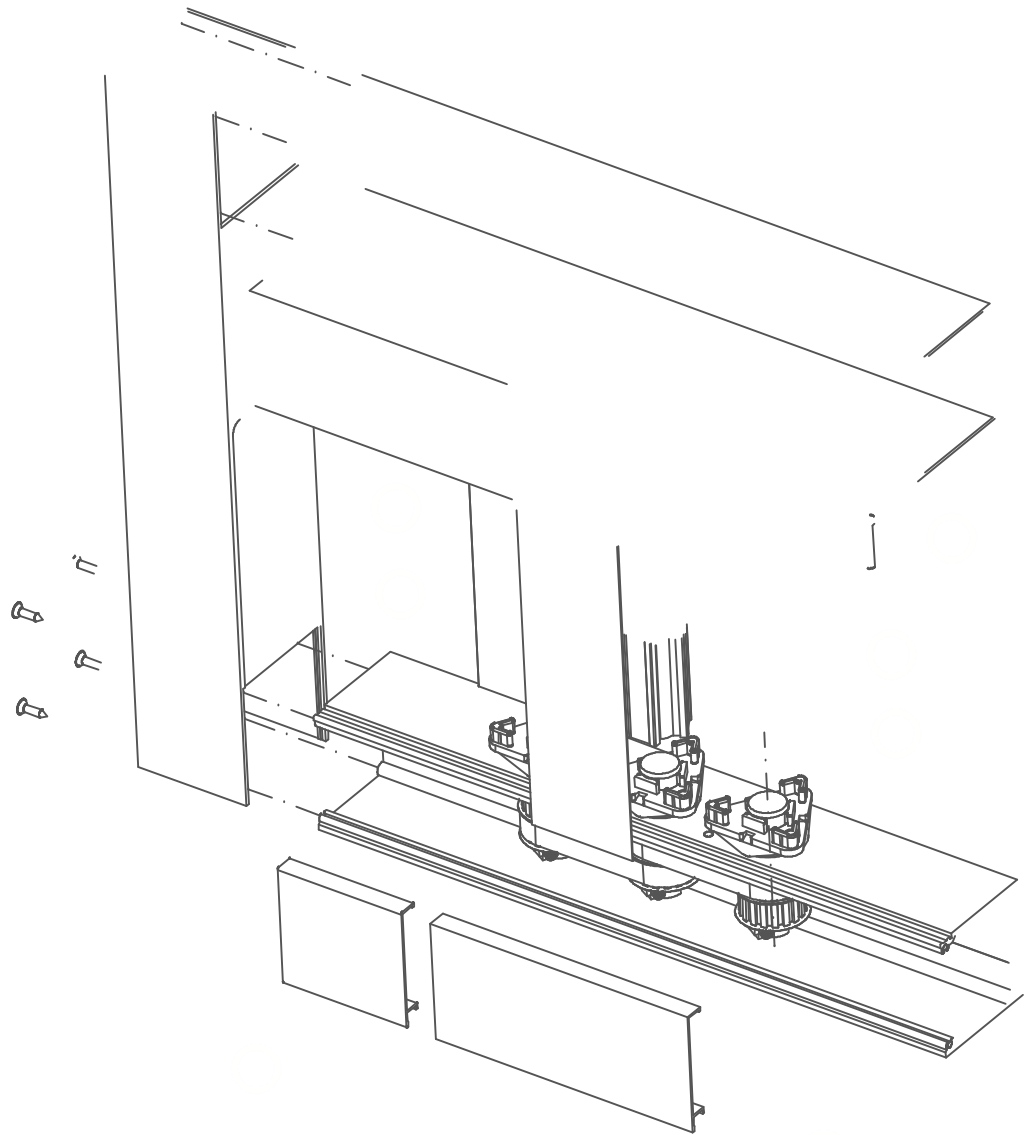
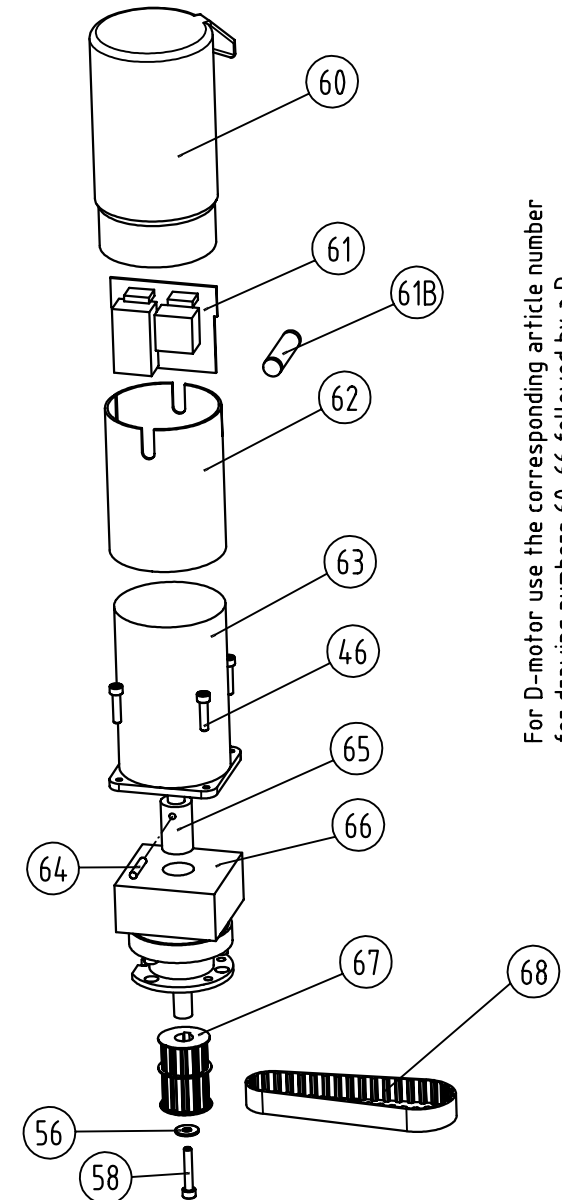
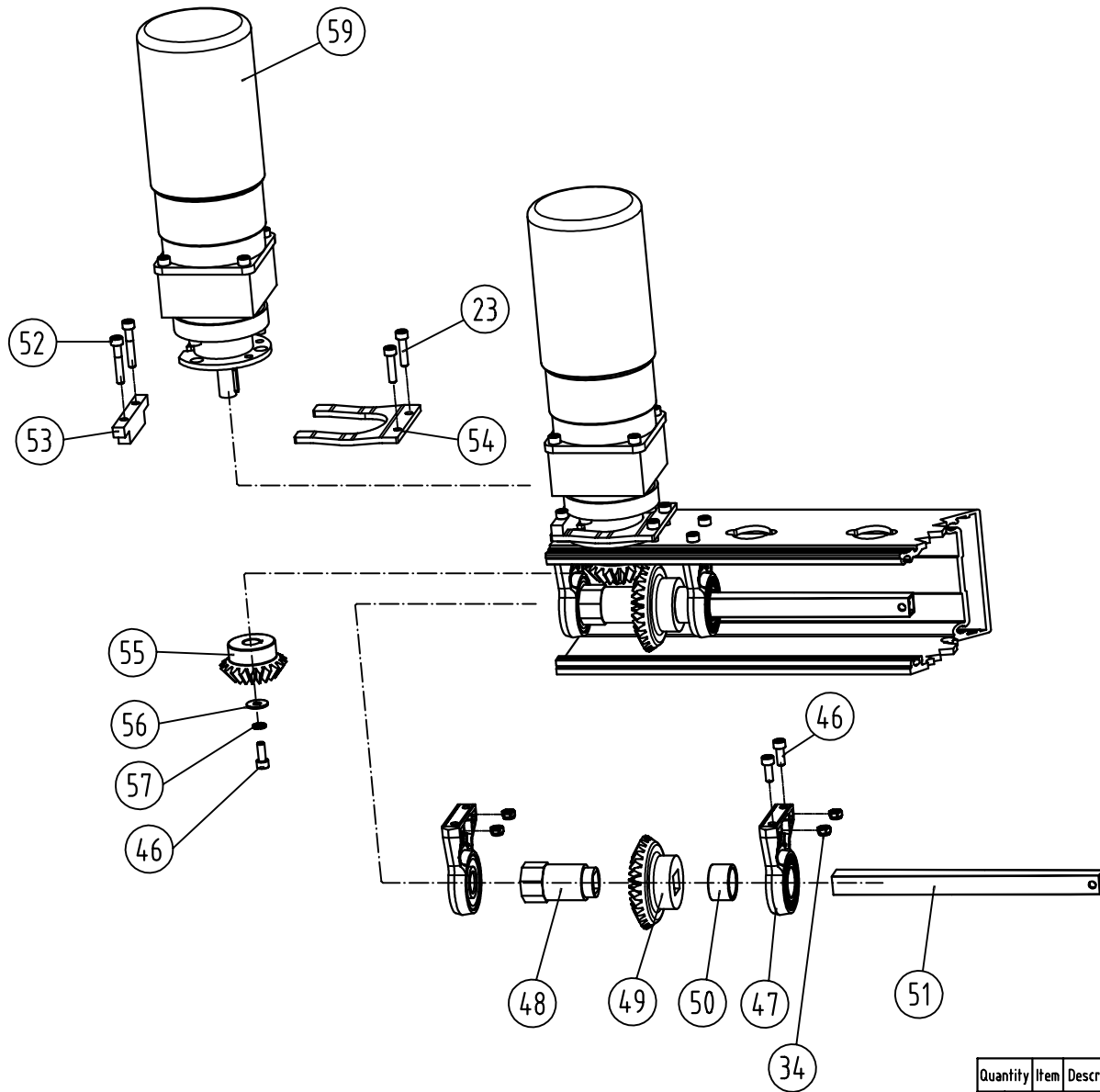


Quantity	Item	Description	Part no	Material	Remarks
		Design Prisma	Drawn RP	Approved	Scale
				Gen. drwg	Repl. drwg
					Filename 0872
PRISMAFLEX INTERNATIONAL Tel. +46 40 664 6300					Date 000119
					Drawing no 3-872
					Rev B

PV-BELT; OLD VERSION
EXPLODED VIEW

No	Qty	Alteration and/or notice no	Date	Ent	Appr
B		Alteration account 89	001204	FS	
A		Alteration account 73	000128	RP	





For D-motor use the corresponding article number
for drawing numbers 60-66 followed by a D.
(example xxxx-D)

C	Alteration account 106	030401	FS	
B	Alteration account 89	001206	FS	
A	Alteration account 43	980113	RP	
Nr	Ant	Ändring och/eller ändrings nr	Datum	Ändr Godk

Quantity	Item	Description	Part no	Material	Remarks
		Design Prisma Drawn RP	Approved	Scale 1:2	Gen. drwg
					Repl. drwg
					Filename 952
					Date 2002-06-03
PRISMAFLEX INTERNATIONAL Tel. +46 40 664 6300					Drawing no 3-952
					Rev C
			PV/PW MOTOR ASSEMBLY		